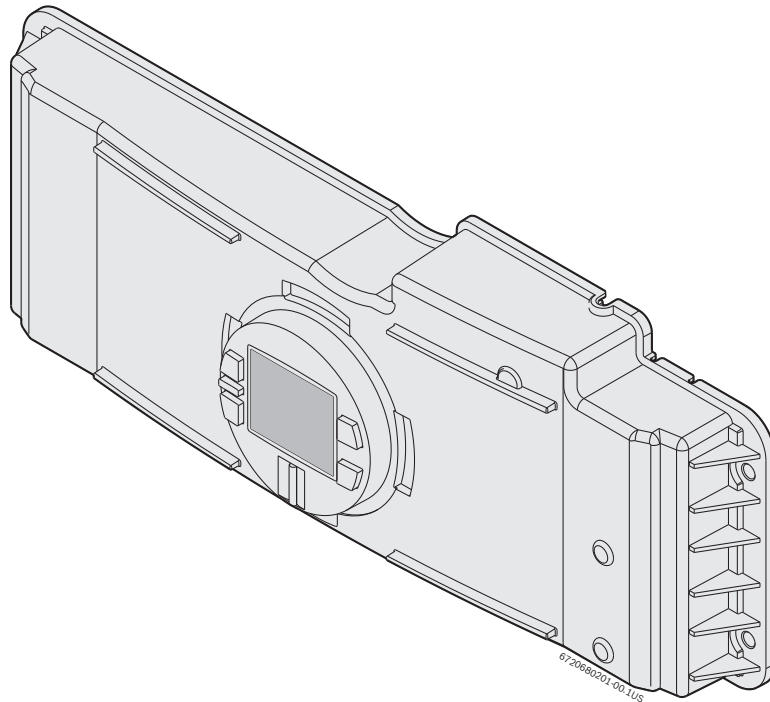


High Temperature kit



Models: C1050ES, 940ESO, 940ES, 830ES



Warning: This kit shall be installed by a qualified service agency in accordance with these instructions and all applicable codes and requirements of the authorities having jurisdiction.



BOSCH



1 Installation



Note: The installation of this high temperature kit will reduce the heat exchanger warranty to 2 years from the date of original installation and operation. For more details consult the water heater's installation manual for warranty period.

1.1 Tools needed:

- Phillips head screw driver
- Needle-nosed pliers.



Note: Avoid touching printed circuit board as static discharge may damage circuitry.

1.2 Preparation

- ▶ Push power button to “OFF” and unplug power cord.
- ▶ Loosen two Phillips head screws on bottom rear of front cover. Pull cover bottom outwards then lift cover upwards to remove.

1.3 Removing control unit

- ▶ Remove three Phillips screws on front of control unit. (Fig. 1, pos.1).
- ▶ Turn control unit to expose the rear. (Fig. 2, pos. 2).

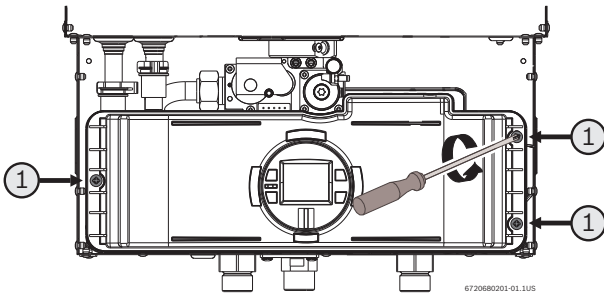


Fig. 1 Control unit front

- ▶ Remove rear cover from control unit to expose circuit board electrical connections. (Fig. 2).

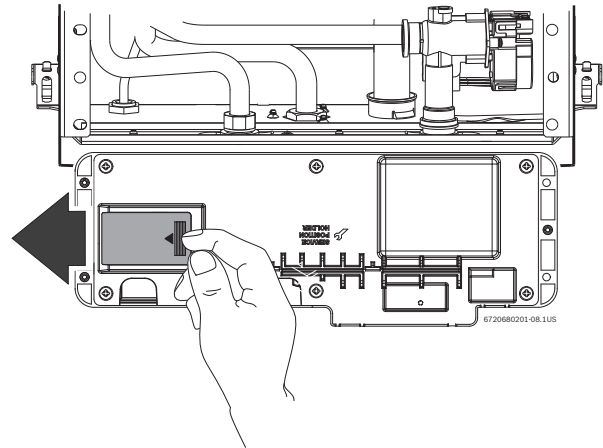


Fig. 2 Control unit rear (wiring not shown for clarity purposes)

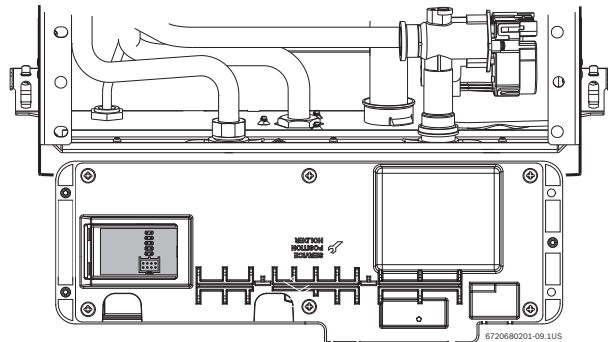


Fig. 3

TEMPERATURE SETTINGS

i Insert jumpers on JP7 and JP8 connections on control board. (Fig. 4).

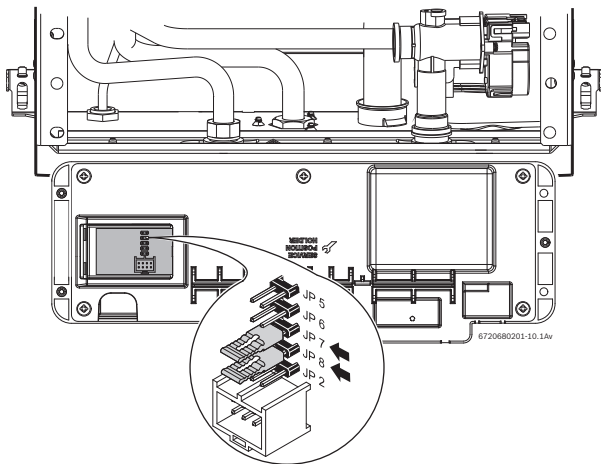


Fig. 4

Jumper	Temperature range	
	ON	OFF (default)
JP7 + JP8	38°C - 84°C	38°C - 60°C
	100°F - 184°F	100°F - 140°F

Table 1

- ▶ Reinstall the rear cover.
- ▶ Reinstall the control unit securing the 3 Philips head screws.
- ▶ Plug in power cord.

i For applications where the hot water is recirculated through the heater, see Technical Service Bulletin AP-03 Direct Recirculation, to avoid damage in internal components.

To memorize the temperature:

- ▶ Power on the appliance by pressing the On/Off button.

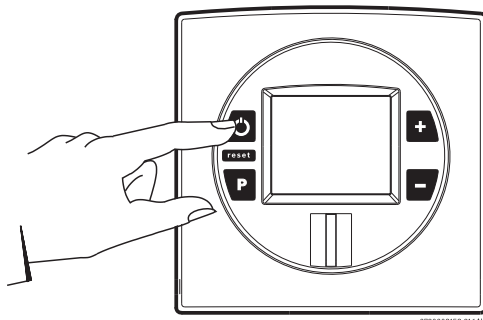


Fig. 5

To select hot water temperature:

- ▶ Press the **+** button in order to reach temperatures above 140°F (71°C).

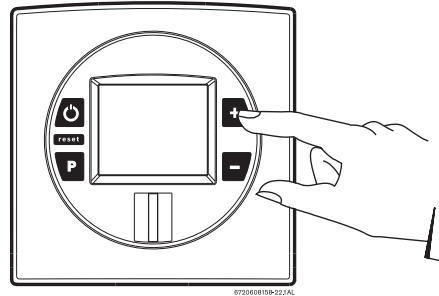


Fig. 6

- ▶ Press and hold the program button for 5 seconds to memorize selected temperature.



6720645518

Replacement Parts available from:

**BOSCH THERMOTECHNOLOGY
CORP.**

50 Wentworth Avenue
Londonderry, NH 03053
Tel. 866-330-2730
www.boschpro.com

Bosch Termotecnologia SA
Estrada de Cacia
3800 - 533 Cacia - PORTUGAL